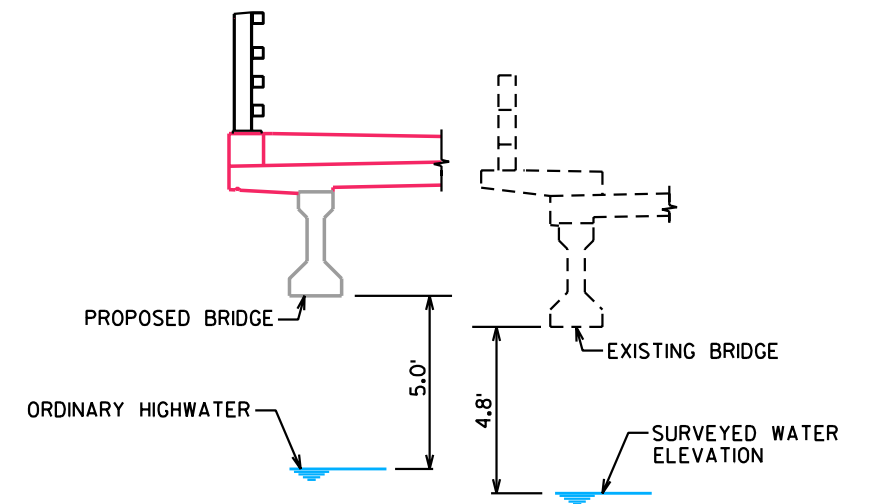


CROSS SECTIONS THRU BRIDGE
 (LOOKING EAST)
 COLUMBIA COUNTY
 CTH V OVER LAKE WISCONSIN



NAVIGATIONAL CLEARANCE COMPARISON